

Sink FL

Kitchen Sinks

Code: 2976 060



DETAILS

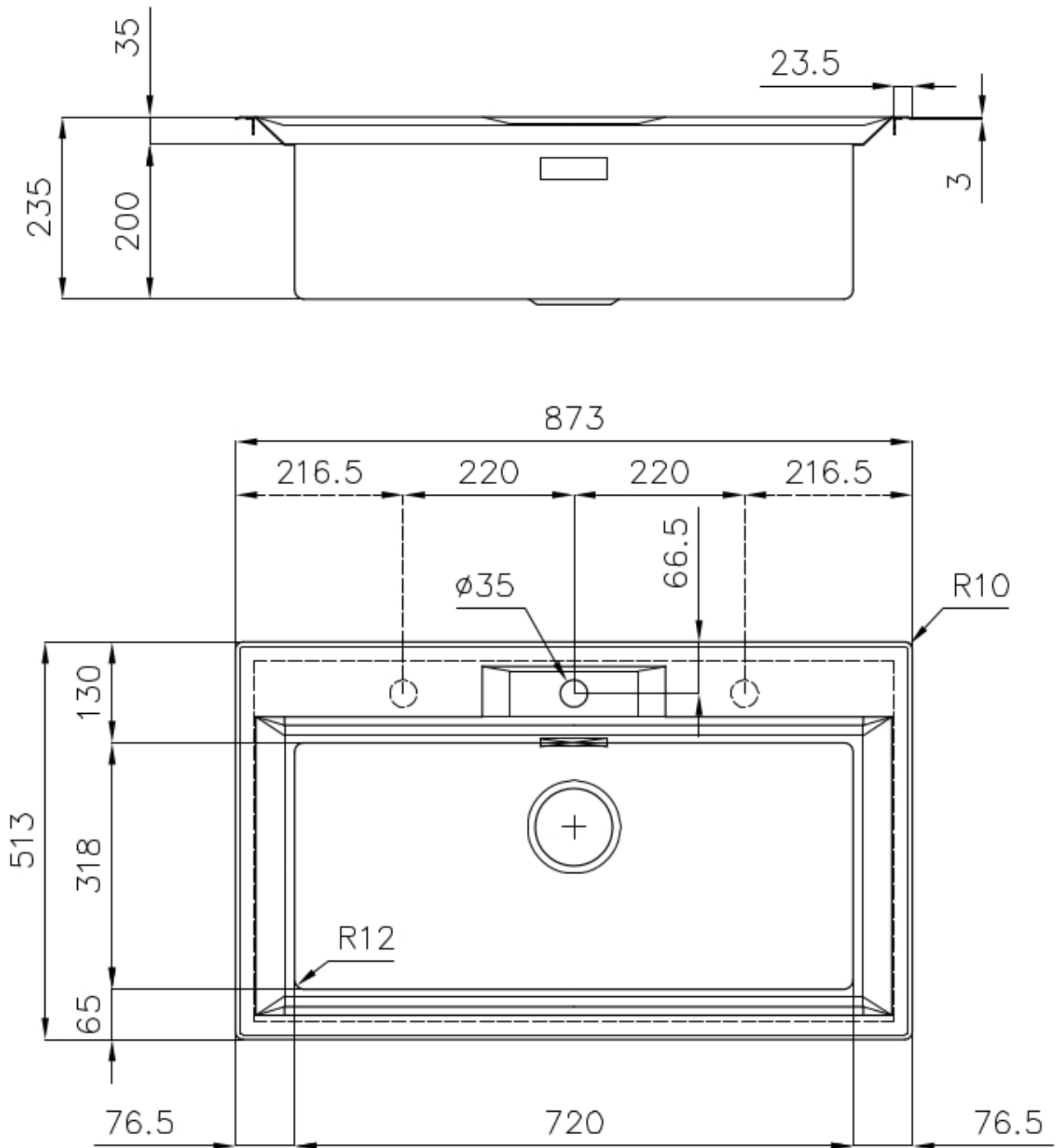
Edge/Installation Type	Flat Edge
Finish	Foster brushed
Material	AISI 304 stainless steel
Texture	Foster brushed
Base	80 cm
Dimensions	873x513 mm
Standard fittings	Fixing hooks, gasket, drain, overflow and siphon, boxed packing
Mixer holes	1 standard hole - 2nd and 3rd on request
Built-in hole	840 x 480 mm

Drainer	No
Width	87 cm
Bowl dimension	720x320mm
Number of bowls	1 bowl
Waste fitting	Drain SPACE 3,5"

FEATURES

Deep bowls	This bowls reach an important depth, over 20 cm, thanks to the advanced production technology, that can be offer great capiciency and practicity in all the washing operations.
High thickness	1mm thick steel. A significant thickness, which guarantees the maximum sturdiness and durability.
Perimetral overflow	The overflow is always a security on the Foster sinks that prevents the overflow of water in case of oversights. The perimeter drain solution improves aesthetics thanks to its square and essential shape.
Save space system	Drain and siphon are designed to leave as much space as possible in the under-sink area, more and more useful today for theseparate waste collection systems.
Small radius	Bowls with squared shapes with a modern design and an increased capacity, for a minimal aesthetics connected with an extreme practicity.
Space waste fitting	The elegant SPACE steel cap closes the drain and leaves no visible residues collected in the basket below. Space also has a small footprint and allows the optimal use of the under-sink compartment.

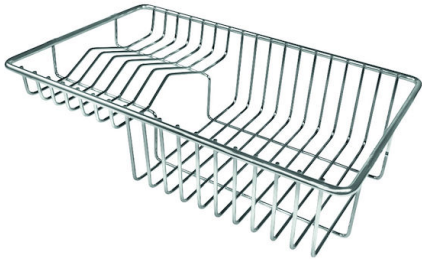
TECHNICAL DATA



GALLERY



OPTIONAL ACCESSORIES



Stainless steel plate rack
8100 304

RECOMMENDED PAIRINGS



Mixer Tap Master
8493 000



Mixer Tap Play
8487 000